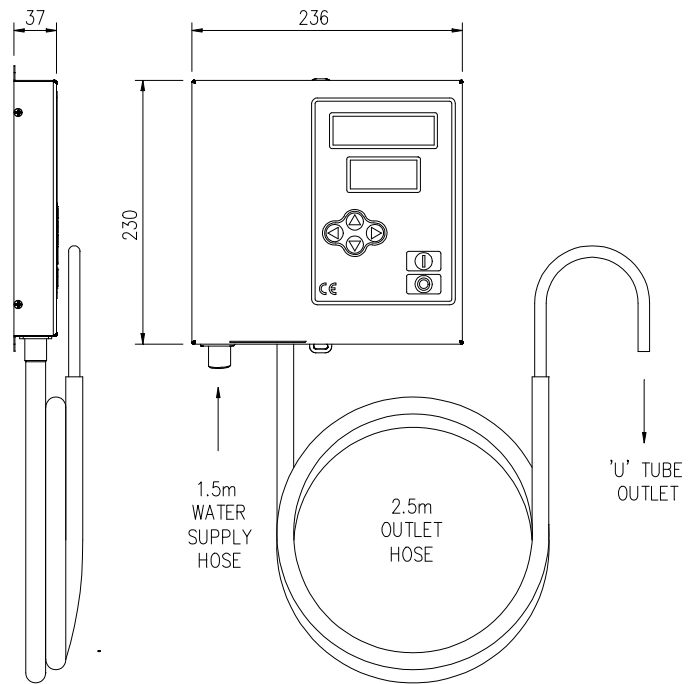


# Compacta Water Meter data sheet

The computerised water meter delivers the correct, measured quantity of water, at the right temperature (TC 200) directly into the mix, at the touch of a button.

## FEATURES

- MANUAL OR 99 RECIPES
- STAINLESS STEEL CONSTRUCTION
- SINGLE INPUT MANUAL MODEL (TC 100-M)
- SINGLE INPUT PROGRAMMABLE MODEL (TC 100-P)
- TWIN INPUT MANUAL MODEL (TC 200-M)
- TWIN INPUT PROGRAMMABLE MODEL (TC 200-P)
- POWER – 230V, 13A SOCKET WITHIN 1M OF METER
- 1.5M WASHING MACHINE SUPPLY HOSE
- 2.5M OUTLET HOSE WITH STAINLESS 'U' TUBE
- SCALE:- 0.1 TO 99.9 LITRES IN 0.1 LITRE STEPS
- MAXIMUM INPUT PRESSURE:- 10 BAR
- FLOW RANGE:- 0.3 – 10 L/MIN
- MAXIMUM INPUT TEMPERATURE:- 65 °C



Tom Chandley Limited, Bakery Engineers  
Windmill Lane, Denton, Manchester, M34 3RB, England

telephone: +44 (0) 161 336 5444

fax: +44 (0) 161 335 0972

e-mail: [info@chandleyovens.co.uk](mailto:info@chandleyovens.co.uk)

website: [www.chandleyovens.co.uk](http://www.chandleyovens.co.uk)

